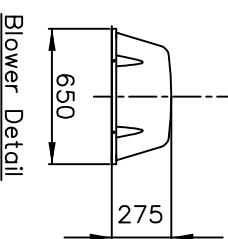
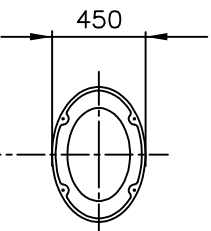
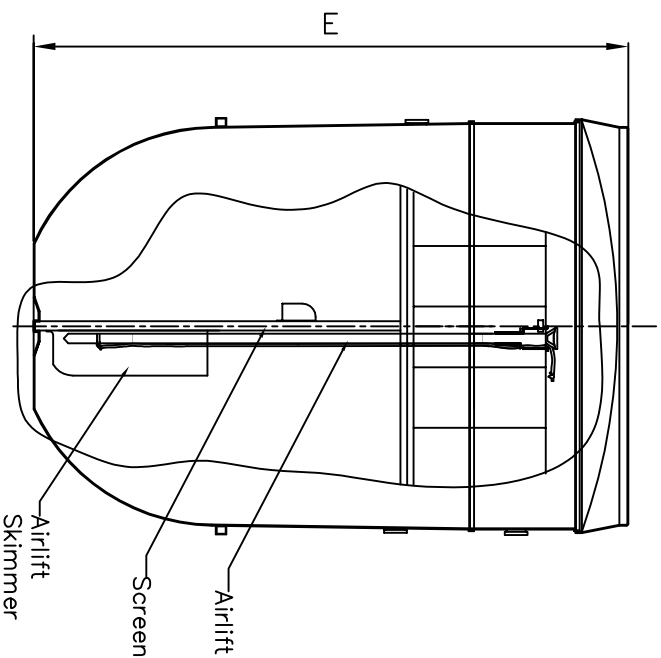
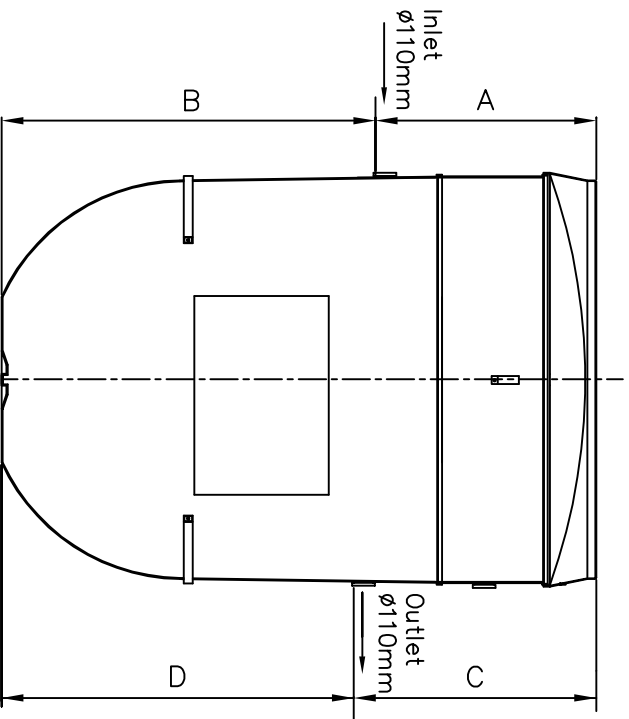


P Range	P6	P6	P12	P12
Inlet invert DIM 'A'	1000	1500	1000	1500
Inlet to base DIM 'B'	1200	1200	1700	1700
Outlet invert DIM 'C'	1100	1600	1100	1600
Outlet to base DIM 'D'	1100	1100	1600	1600
Plant height DIM 'E'	2200	2700	2700	3200



ISSUE	DATE	BY	CHKD	DESCRIPTION
1	30.03.07	JC	See Note CC350	MODIFICATION

ALL DIMENSIONS ARE IN MILLIMETRES - DO NOT SCALE

Envirocare
POLLUTION CONTROL
 Envirocare Pollution Control
 Killcullen Road
 Nias Co. Kildare
 Tel: 045 874152

TITLE: P6- P12 DIMENSION DETAIL SALES DRAWING

SCALE: NTS SHEET SIZE: -

DRAWING No. DS0630E ISSUE: 1

This drawing is copyright and may not be reproduced or used without the written permission of Envirocare Pollution Control. ENVIROCARE RESERVE THE RIGHT TO CHANGE SPECIFICATIONS WITHOUT NOTICE.