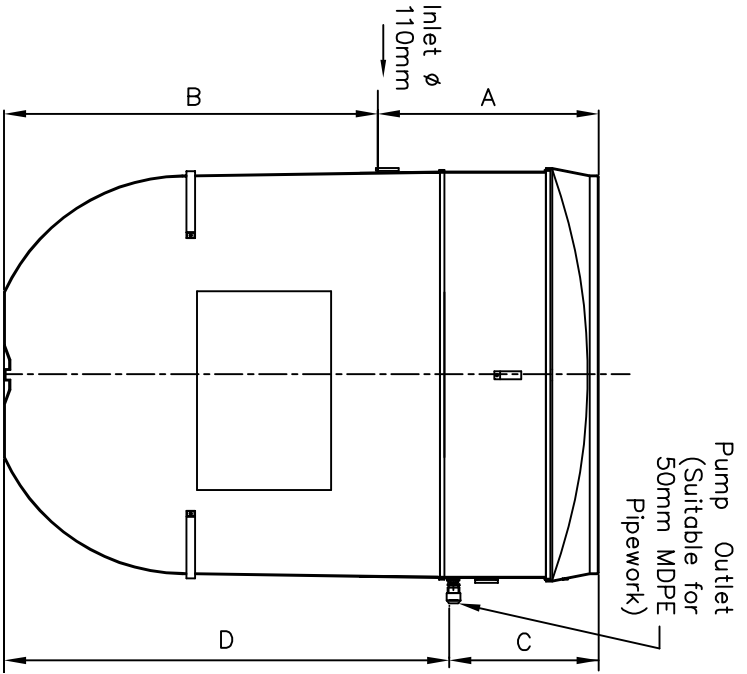
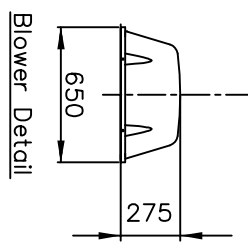
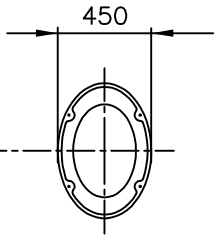
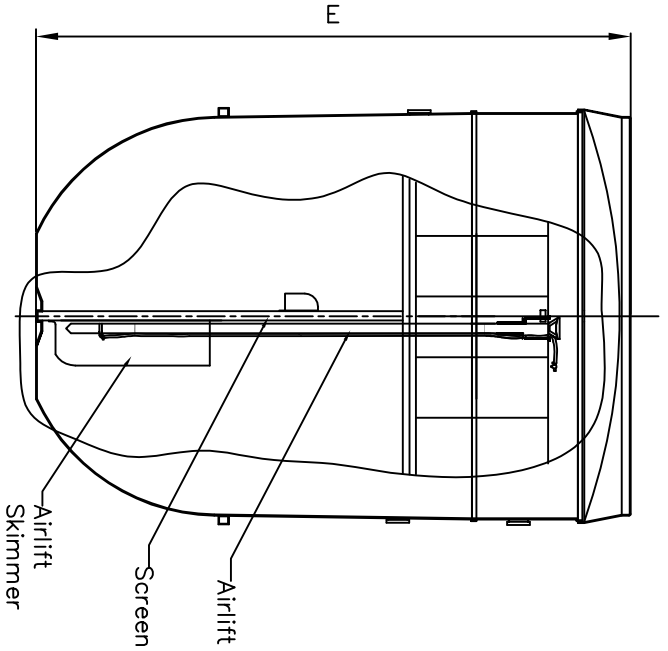


P Range	P6	P6	P12	P12	
Inlet invert	DIM 'A'	1000	1500	1000	1500
Inlet to base	DIM 'B'	1200	1200	1700	1700
Outlet invert	DIM 'C'	605	605	605	605
Outlet to base	DIM 'D'	1595	2095	2095	2595
Plant height	DIM 'E'	2200	2700	2700	3200



Pump Outlet
(Suitable for
50mm MDPE
Pipework)



ISSUE	DATE	DRAWN	JC	CC350	INDICATION
1	30.03.07				

This drawing is copyright and may not be reproduced or used without the written permission of Envirocare Pollution Control. ENVIROCARE RESERVE THE RIGHT TO CHANGE SPECIFICATIONS WITHOUT NOTICE.

ALL DIMENSIONS ARE IN MILLIMETRES - DO NOT SCALE

Envirocare
POLLUTION CONTROL
Envirocare Pollution Control
Killicullen Road
Naas Co. Kildare
Tel: 045 874152

TITLE
P6 - P12 IPS
P RANGE
DIMENSION DETAIL
SALES DRAWING

SCALE
NTS
SHEET SIZE
-

DRAWING No.
DS0631E

ISSUE
1